



LINEAR SHOWER DRAIN
WITH REVERSIBLE TILE-IN
STAINLESS STEEL GRATE



1 ABS



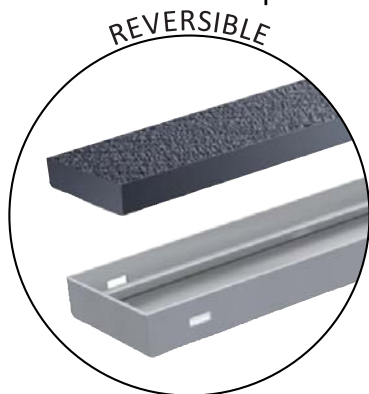
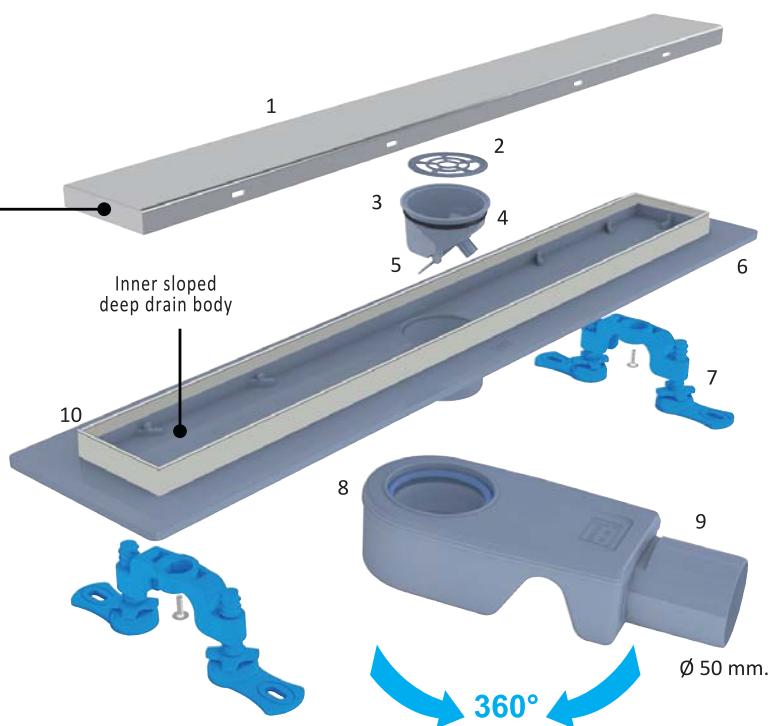
LINEAR SHOWER DRAIN WITH REVERSIBLE TILE-IN STAINLESS STEEL GRATE



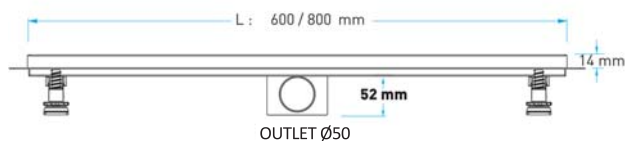
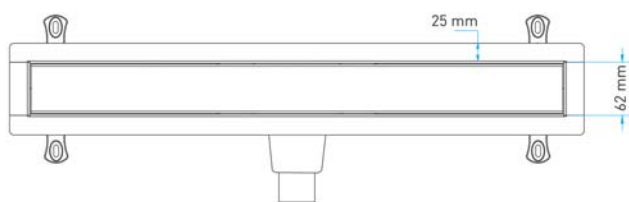
1

ABS

- 1) AISI 304 Stainless steel decorative grate
- 2) Hair catcher drain filter
- 3) Smell proof dry trap
- 4) O-ring
- 5) Flap valve
- 6) ABS drain body
- 7) Adjustable levelling feet
- 8) O-ring
- 9) 360° adjustable ABS gully trap
- 10) AISI 304 Stainless steel frame



TECHNICAL FEATURES



ART.	CODE	DIMENSIONS	COLOUR GRID
Linear shower drain with reversible tile-in stainless steel grate	PRBR606IN	mm.600x60	Inox
	PRBR806IN	mm. 800x60	Inox



PRODUCED BY:

17041 ALTARE (SV) - ITALY
Località Isola Grande
Tel. +39 019 58511 - Fax +39 019 58305
Email: infofirst@firstcor.com

